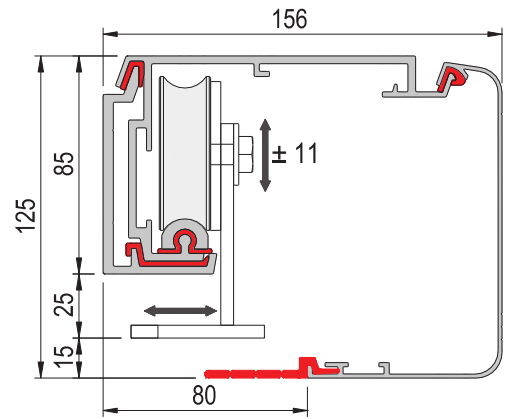
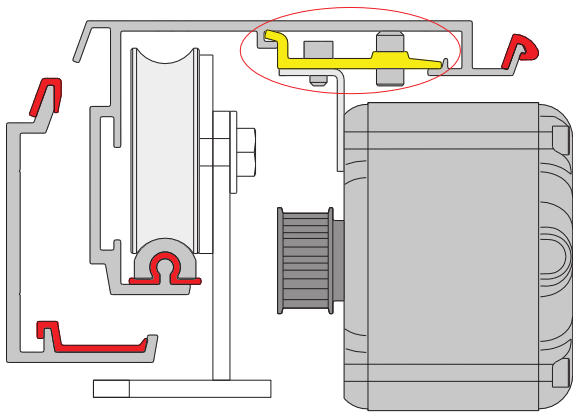


TECHNICAL SPECIFICATIONS FOR SL5 AUTOMATIONS



Series	SL5A	SL5E	SL5H
Model	ADVANCED	EMERGENCY	HEAVY
Use	Sliding automatic doors	Sliding automatic doors for escape routes and emergency exits	Heavy sliding automatic doors
Type approval			
Dimensions	125 x 156 x 6600 mm	125 x 156 x 6600 mm	125 x 156 x 6600 mm
Max. load	140 kg 1 wing 2x120 kg 2 wings	140 kg 1 wing 2x120 kg 2 wings	180 kg 1 wing 2x150 kg 2 wings
Max. speed	0.8 m/s 1 wing 1.6 m/s 2 wings	0.8 m/s 1 wing 1.6 m/s 2 wings	0.6 m/s 1 wing 1.2 m/s 2 wings
Service class Intermittence	Continuous operation S3 = 100%	Continuous operation S3 = 100%	Intense operation S3 = 60%
Internal durability test			
Power supply	100–240 V 50/60 Hz	100–240 V 50/60 Hz	100–240 V 50/60 Hz
Power	70W	70W	70W
Stand-by	10W	10W	10W
Rated load	150 N	150 N	150 N
Degree of protection	IP 20	IP 20	IP 20
Operating temperature	-15 °C +50 °C	-15 °C +50 °C	-15 °C +50 °C
Parameter adjustment	Buttons and display	Buttons and display	Buttons and display
Accessory output	12 VDC (1 A max)	12 VDC (1 A max)	12 VDC (1 A max)
Firmware update	USB standard	USB standard	USB standard